

- > **Port size: DN 15 ... 25, 1/2" ... 1" (ISO G/NPT)**
- > **Optical position indicator is standard**
- > **Damped closing (Valves closes against flow direction)**
- > **Suitable for contaminated flow fluid**
- > **Suitable for vacuum up to max. 90%**
- > **Reversed flow direction optional**
- > **High flow rate**
- > **Option pressure actuated by external liquid fluid**



### Technical features

**Medium:**

Aggressive gases and liquids

**Pilot fluid:**

Neutral gases max. +60°C (+140°F)

**Switching function:**

Normally closed

**Operation:**

Pressure actuated by external fluid

**Mounting position:**

Optional

**Flow direction:**

Determined

**Port size:**

G1/2, G3/4, G1 1/2 NPT, 3/4 NPT, 1 NPT

**Pilot connection:**

G1/4 or 1/4 NPT

**Operating pressure:**

See table

**Pilot pressure:**

3,5 ... 10 bar (51 ... 145 psi)

**Fluid temperature:**

-10° ... +180°C (+14° ... +356°F)

**Ambient temperature:**

-10° ... +60°C (+32° ... +140°F)

**Material:**

Process fluid characteristics:

Body: Stainless steel

Seat seal: PTFE

Internal parts: Stainless steel

Spindle sealing: PTFE / FPM; self-adjustable

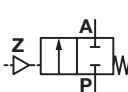
Pilot fluid characteristics:

Body: Polyamid 66 with glass fibre 30%

Seat Seals: NBR

Internal parts: Brass, Stainless steel

### Technical data - standard models

Symbol	Port size	Orifice (mm)	Flow kv value *1) (m³/h)	Operating pressure *2) (bar)	Weight (kg) *3)	Model *3)
	G1/2	15	4,8	0 ... 16	1,3	8474200.0000.00000
	1/2 NPT	15	4,8	0 ... 16	1,3	8475200.0000.00000
	G3/4	20	10	0 ... 8	1,4	8474300.0000.00000
	3/4 NPT	20	10	0 ... 8	1,4	8475300.0000.00000
	G1	25	14	0 ... 5	1,7	8474400.0000.00000
	1 NPT	25	14	0 ... 5	1,7	8475400.0000.00000

\*1) Cv-value (US) ≈ kv value x 1,2

\*2) For gases and liquid fluids up to 600 mm²/s (cSt)

\*3) Without pilot valve

Option selector

847★ ★ ★ ★ .0000.00000

Thread form	Substitute
ISO G	4
NPT	5

Port size	Substitute
1/2"	2
3/4"	3
1"	4

Further options (Valves)	Substitute
Normally open (NO), closes with pilot pressure and opens with spring force (pilot pressure 1 ... 10 bar)	01
Double acting, 4/2 or 5/2-way-pilot valve required	08
Electrical position indicator with 2 micro-switches protection class IP 67, LED, 2 m cable LiYY 2 x 0,25 qmm Type: NAMUR DIN EN 60947-5-6	23
NAMUR interface plate	50

Notes  
for 3/2-way pilot valve 84660 / 84680

Material	Body Aluminium
Pilot fluid temperature	max. +60°C
Pilot pressure	1 ... 10 bar
Standard voltages	24 V d.c., 24 V a.c., 230 V a.c.

Notes  
for 3/2-way pilot valve 97100 hole pattern NAMUR

Material	Body Aluminium elox
Pilot fluid temperature	-10 ... +50°C (+14 ... +122°F)
Pilot pressure	2 ... 8 bar
Standard voltages	24 V d.c., 24 V a.c., 230 V a.c.

Electrical Data  
for 3/2-way pilot valve 84660 / 84680

Design acc. to	DIN VDE 0580
Voltage range	±10%
Duty cycle	100% ED
Protection class	EN 60529 IP65 with mounted socket
Socket	Form A acc. to DIN EN 175301-803 (included)
Technical data	See publication N/en 5.8.640

Electrical Data  
for 3/2-way pilot valve 97100 hole pattern NAMUR

Design acc. to	DIN VDE 0580
Voltage range	±10%
Duty cycle	100% ED
Protection class	EN 60529 IP65 with mounted socket
Socket	Form A acc. to DIN EN 175301-803 (included)
Technical data	See publication N/en 5.4.372

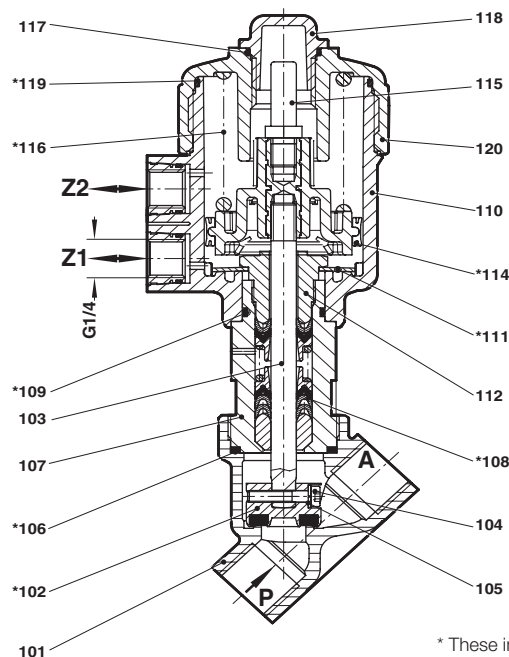
Further versions on request!

Mounting accessories (NAMUR)

Interface plate NAMUR hole pattern for retrofit (Part-Number 1256566) consist of:  
1x NAMUR-interface plate; 2x Adapter screw; 2x O-ring

Section View

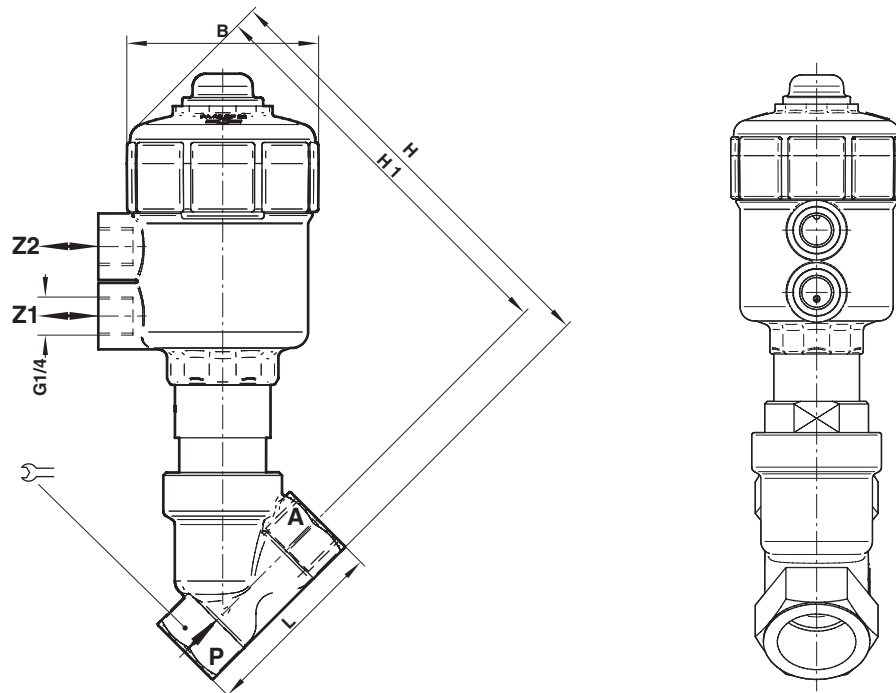
G1/2 ... 1  
1/2 ... 1 NPT




No.	Description
101	Valve body
*102	Valve plate
103	Valve spindle, complete
104	Allen head screw
105	Spring washer
*106	Gasket
107	Screw piece
*108	Spindle sealing
*109	O-ring
110	Bottom of control head housing
*111	Cup spring
112	Screw piece
*114	Piston seal
115	Signal pin
*116	Pressure spring
117	O-ring
118	End cap
*119	O-ring
120	Control head housing cover

\* These individual parts form a complete wearing unit.  
When ordering spare parts please state Model No. and Series No.

**Dimensions**
**G1/2 ... 1**  
**1/2 ... 1 NPT**

 Dimensions in mm  
 Projection/First angle


1 Actuator may be rotated 360°

Port size	B	H	H1	L		Model
G1/2	66	154	140,5	65	27	8474200.0000.00000
1/2 NPT	66	154	140,5	65	27	8475200.0000.00000
G3/4	66	160	144,5	75	32	8474300.0000.00000
3/4 NPT	66	160	144,5	75	32	8475300.0000.00000
G1	66	171	150,5	90	41	8474400.0000.00000
1 NPT	66	171	150,5	90	41	8475400.0000.00000

**Note to Pressure Equipment Directive (PED):**

The valves of this series, including the connection size DN 25 (G 1), are according to Art. 3 § 3 of the Pressure Equipment Directive (PED) 97/23/EG. This means interpretation and production are in accordance to engineers practice wellknown in the member countries.

The CE-sign at the valve refers not to the PED. Thus the declaration of conformity is not longer applicable for this directive.

For valves > DN 25 (G 1) Art. 3 § (1) No.1.4 applies.

The basic requirements of the Enclosure I of the PED must be fulfilled.

The CE-sign at the valve includes the PED. A certificate of conformity of this directive will be available on request.

**Note to Electromagnetic Compatibility Guideline (EEC):**

The valves shall be provided with an electrical circuit which ensures the limits of the harmonised standards EN 61000-6-3 and EN 61000-6-1 are observed, and hence the requirements of the Electromagnetic Compatibility Guideline (2004/108/EG) satisfield.