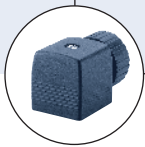


2/2-way Solenoid Valve for neutral media up to 356°F, NPT 1/2 - NPT 1

- Solenoid valve with servo-piston
- Temperatures up to 356°F (+180°C)
- For neutral media, incl. steam
- Push-over coil system
- Threaded and flange valve bodies

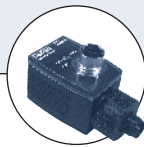
Type 0406 can be combined with...



Type 2508
Cable plug



Type 1078
Timer unit



Type 2511
ASI cable plug

Type 0406 is a pilot controlled solenoid valve with servo-piston and is suitable for media up to 356°F (+180°C). A minimum differential pressure of 14.5 PSI is required to fully open the valve.

The valve is closed by its own media pressure and spring force without power supply.

Technical data

Orifice	DN 13 - 25
Body material	Brass, grey cast iron
Coil material	Epoxy
Coil insulation class	H
Seal material	PTFE/graphite
Media	Neutral media such as hot water and steam
Media temperature	14°F to 356°F (-10°C to +180°C)
Ambient temperature	max. 131°F (+55°C)
Viscosity	max. 21 cSt
Voltage tolerance	±10%
Duty cycle	100% continuous rating
Electrical connection	Cable plug for Ø 7 mm cable, acc. to DIN EN 175301-803 Form A (supplied as standard)
Protection class	IP 65 with cable plug
Installation	As required, preferably with actuator upright

Power consumption

Orifice DN [mm]	Inrush AC [VA]	Hold (hot coil)	
		AC [VA/W]	DC [W]
13-25	21	12/8	8
32-40	35-40	16/12	–

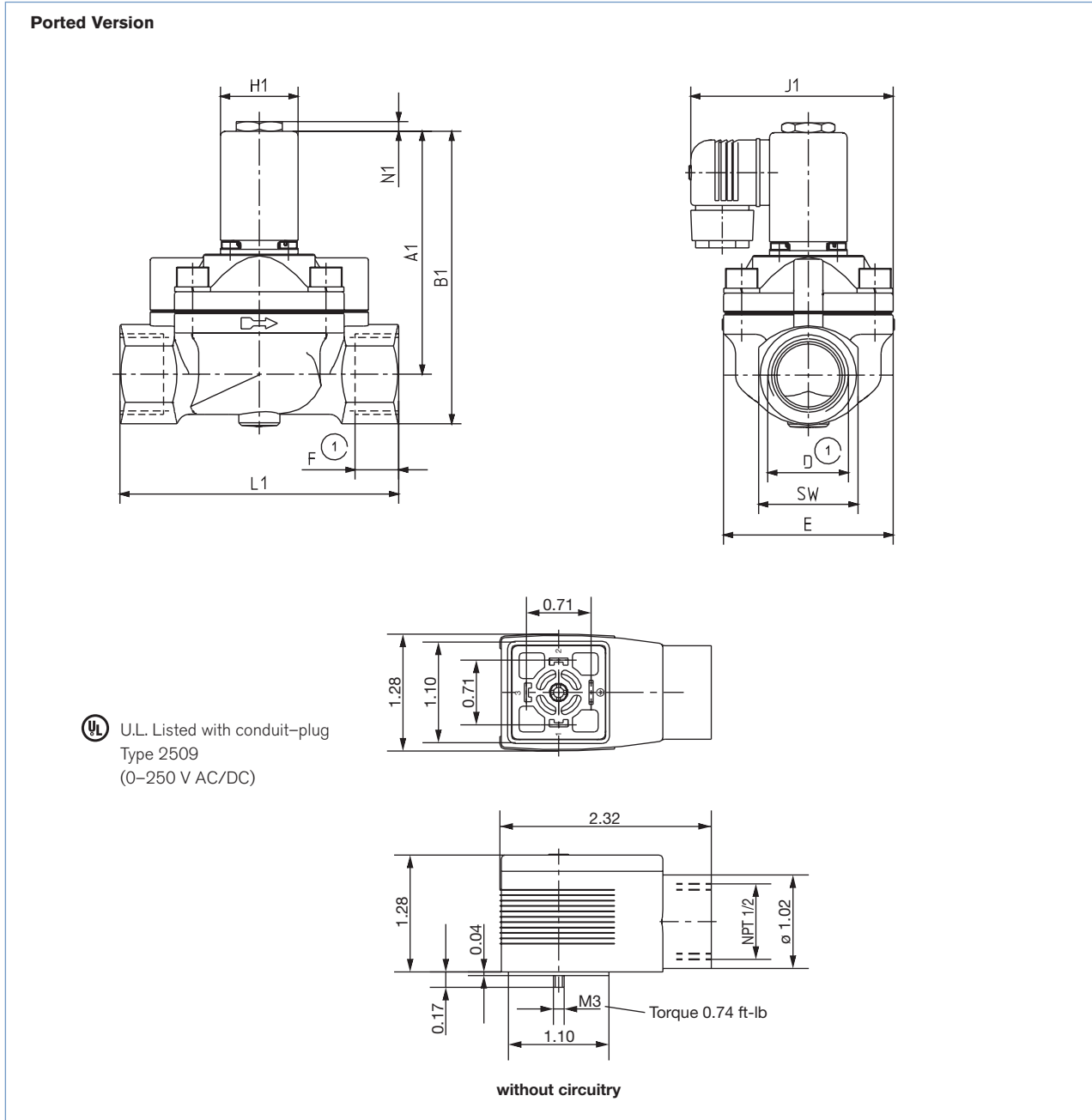
Ordering chart for valves (without cable plugs)

All valves with PTFE and graphite-seal

Circuit Function	Orifice [inch]	Flow Rate		Port Connection [NPT]	Pressure Range [PSI]	Body Material	Seal Material	Approvals	Voltage/Frequency [V/Hz]	Order no.
		Water C _v -Value [gpm]	Air Q/Nn [SCFM]							
A	1/2"	4.3	140	1/2	14-58	Brass	PTFE	UL/FM	24/DC	453 038
					14-174	Brass	PTFE	-	24/60	452 257
					14-174	Brass	PTFE	UL/FM	24/60	453 037
					14-174	Brass	PTFE	-	120/60	450 369
					14-174	Brass	PTFE	UL/FM	120/60	453 036
					14-174	Brass	PTFE	UR	120/60	453 773
					14-174	Brass	PTFE	-	240/60	450 426
					14-174	Brass	PTFE	UL/FM	240/60	US00949
	3/4"	5.8	190	3/4	14-58	Brass	PTFE	-	24/DC	452 258
					14-58	Brass	PTFE	UL/FM	24/DC	453 041
					14-174	Brass	PTFE	UL/FM	24/60	453 040
					14-174	Brass	PTFE	UR	120/60	453 774
					14-174	Brass	PTFE	UL/FM	120/60	453 039
					14-174	Brass	PTFE	UL/FM	240/60	US00948
					14-174	Brass	PTFE	UL/FM	240/60	US02355
	1"	11.7	380	1	14-58	Brass	PTFE	UL/FM	24/DC	453 043
					14-174	Brass	PTFE	UL/FM	24/60	453 042
					14-174	Brass	PTFE	UR	120/60	453 775
					14-174	Brass	PTFE	UL/FM	120/60	453 044
					14-174	Brass	PTFE	UL/FM	240/60	US02355
	1 1/4"	21	680	1 1/4	14-174	Brass	PTFE	-	120/60	453 900
1 1/2"	21	680	1 1/2	14-174	Brass	PTFE	-	120/60	453 901	

- CSA approval standard with all U.L. listed and recognized valves
- CE approval standard on all valves
- FM approved valves are approved for use in Class 1 Div 2 groups A, B, C, D, hazardous locations
- All U.L. listed valves include the Type 2509 series conduit plug

Dimensions [inches]



Orifice	Ported Version									
	A1	B1	D1 (NPT)	F1	E1	L1	SW	J1	H1	N1
1/2	3.70	4.30	1/2	.55	1.57	2.56	1.06	2.71	1.26	.16
3/4	3.70	4.37	3/4	.63	2.36	3.93	1.26	3.11	1.26	.16
1	3.95	4.76	1	.70	2.75	4.52	1.61	3.30	1.26	.16
1 1/4	5.50	6.53	1 1/4	.78	3.34	4.96	1.96	3.78	1.57	.35
1 1/2	5.70	6.89	1 1/2	.86	3.34	4.96	2.36	3.78	1.57	.35