

- > **Port size: 1/4" or 3/8" (ISO G/PTF)**
- > **Excelon design allows in-line installation or modular installation with other Excelon products**
- > **Quick release bayonet bowl**



**Technical features**

**Medium:**  
Compressed air only

**Maximum operating pressure:**  
Transparent bowls:  
10 bar (145 psi)  
Metal bowls:  
17 bar (250 psi)  
Metal bowls with automatic drain:  
10 bar (145 psi)

**Filter element:**  
40 or 5 µm

**Port size:**  
G1/4, G3/8, 1/4" or 3/8" PTF

**Flow:**  
28 dm³/s at port size: G1/4  
Operating pressure: 6,3 bar (91 psi)  
Δp: 0,5 bar (7.2 psi)  
Filter element: 40 µm

**Drain:**  
Manual, automatic or semi automatic

**Automatic drain operating conditions (float operated):**  
Bowl pressure required to close drain: > 0,35 bar (5 psi)  
Bowl pressure required to open drain: ≤ 0,2 bar (2.9 psi)  
Minimum air flow required to close drain: 0,1 dm³/s (0.2 scfm)  
Manual operation: depress pin inside drain outlet to drain bowl

**Semi automatic drain operating conditions (pressure operated):**  
Bowl pressure required to close drain: Greater than 0,1 bar (1.5 psi)  
Bowl pressure required to open

drain: Less than 0,1 bar (1.5 psig)  
Minimum air flow required to close drain: 0,5 dm³/s (1 scfm)

**Service life indicator:**  
Available on request

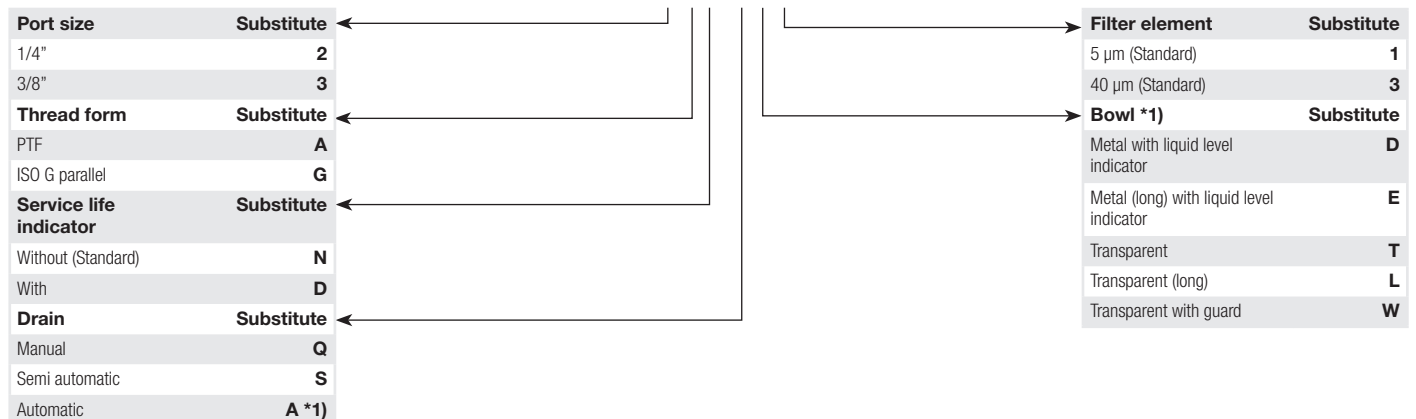
**Ambient/Media temperature:**  
Transparent bowl:  
-34 ... +50°C (-29 ... +122°F)  
Metal bowl:  
-34 ... +65°C (-29 ... +149°F)  
Air supply must be dry enough to avoid ice formation at temperatures below +2°C (+35°F).

**Materials:**  
Body: die cast zinc  
Bowl: transparent PC or die cast zinc  
Liquid level indicator lens (metal bowl): transparent PA  
Filter element: sintered PP  
Elastomers: CR & NBR

**Technical data - standard models**

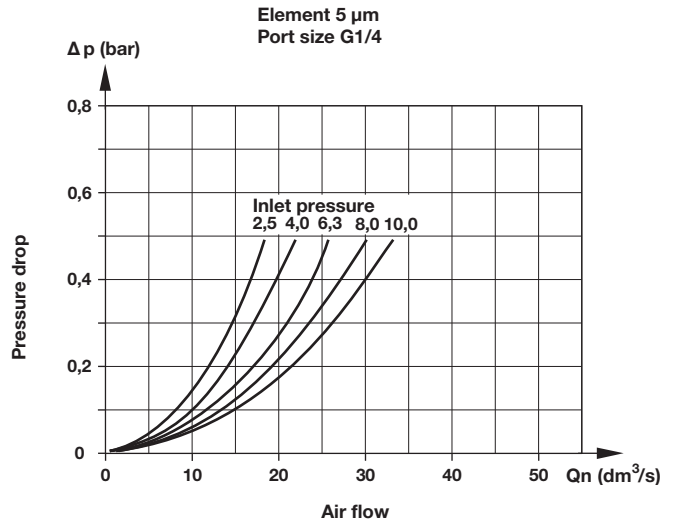
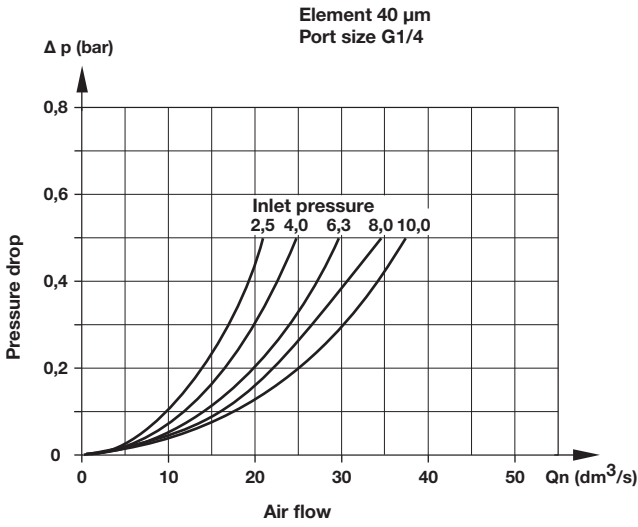
Symbol	Port size	Size	Drain	Filter element (µm)	Bowl	Weight (kg)	(lbs)	Model
	G1/4	Basic	Manual	40	PC (transparent)	0,49	1.0	F72G-2GN-QT3
	G3/8	—	Manual	40	PC (transparent)	0,49	1.0	F72G-3GN-QT3
	G1/4	Basic	Manual	5	PC (transparent)	0,49	1.0	F72G-2GN-QT1
	G3/8	—	Manual	5	PC (transparent)	0,49	1.0	F72G-3GN-QT1
	G1/4	Basic	Automatic	40	PC (transparent)	0,49	1.0	F72G-2GN-AL3
	G3/8	—	Automatic	40	PC (transparent)	0,49	1.0	F72G-3GN-AL3
	G1/4	Basic	Automatic	5	PC (transparent)	0,49	1.0	F72G-2GN-AL1
	G3/8	—	Automatic	5	PC (transparent)	0,49	1.0	F72G-3GN-AL1

**Option selector**



\*1) Supplied with long bowl option only

**Flow characteristics**



**Accessories**

Wall mounting bracket	Quikclamp®	Quikclamp with wall bracket®	Quikmount pipe adaptor *1)	Porting block with three alternative 1/4" ports	2/2 Shut-off valves (for full technical specification see datasheet 8.160.600)	3/2 Shut-off valves (for full technical specification see datasheet 8.160.600)
Page 3	Page 3	Page 3	Page 3	Page 3	Page 3	Page 3
4224-50	4214-51	4214-52	G1/4: 4215-08 G3/8: 4215-09 1/4 PTF: 4215-02 3/8 PTF: 4215-03	G1/4: 4216-52 1/4 PTF: 4216-50	G1/4: T72B-2GA-P1N G3/8: T72B-3GA-P1N 1/4 PTF: T72B-2AA-P1N 3/8 PTF: T72B-3AA-P1N	G1/4: T72T-2GA-P1N G3/8: T72T-3GA-P1N 1/4 PTF: T72T-2AA-P1N 3/8 PTF: T72T-3AA-P1N

\*1) Please use a Quikmount pipe adaptor if the Quikclamp be mounted at inlet or outlet side.

**Pressure switch**

Porting block for pressure switch	Pressure switch (0,5 ... 8 bar)	Padlock (brass) with two keys *1)
0523109000000000	0881300000000000	0613633000000000

\*1) for shut-off valves

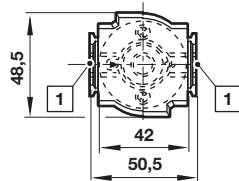
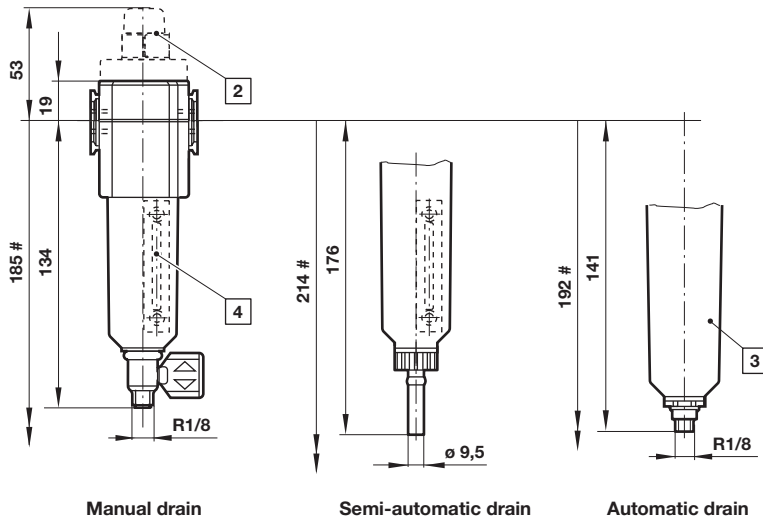
**Padlock**

**Service kits**

Manual drain	Automatic drain	Replacement element
F72G-KITM40 (40 µm) F72G-KITM05 (5 µm)	F72G-KITA40 (40 µm) F72G-KITA05 (5 µm)	5925-02 (40 µm) 5925-03 (5 µm)

**Drawings**

Dimensions in mm  
Projection/First angle



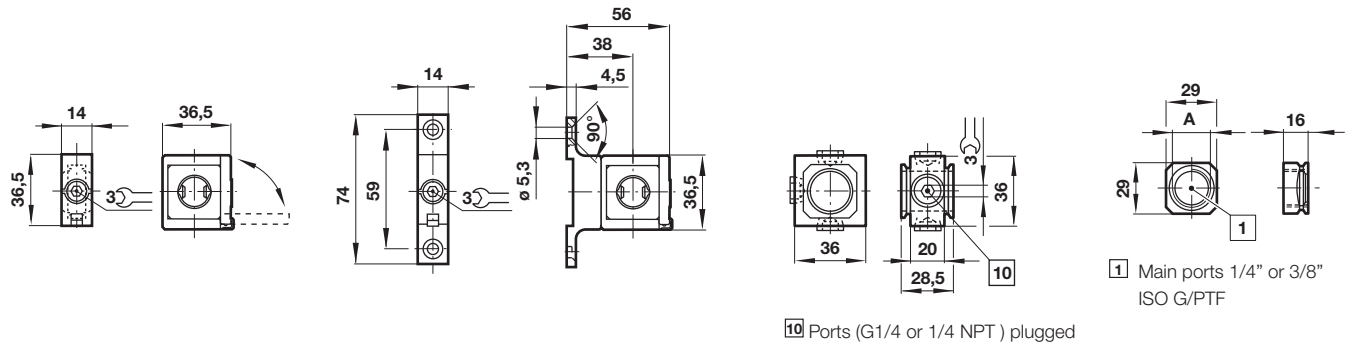
- # Minimum clearance required to remove bowl
- 1 Main ports 1/4" or 3/8"
  - 2 Service life indicator optional
  - 3 Transparent bowl
  - 4 Metal bowl with liquid level indicator lens

**Accessories**  
**Quikclamp®**

**Quikclamp® with wall bracket**

**Porting block**

**Pipe adapter**

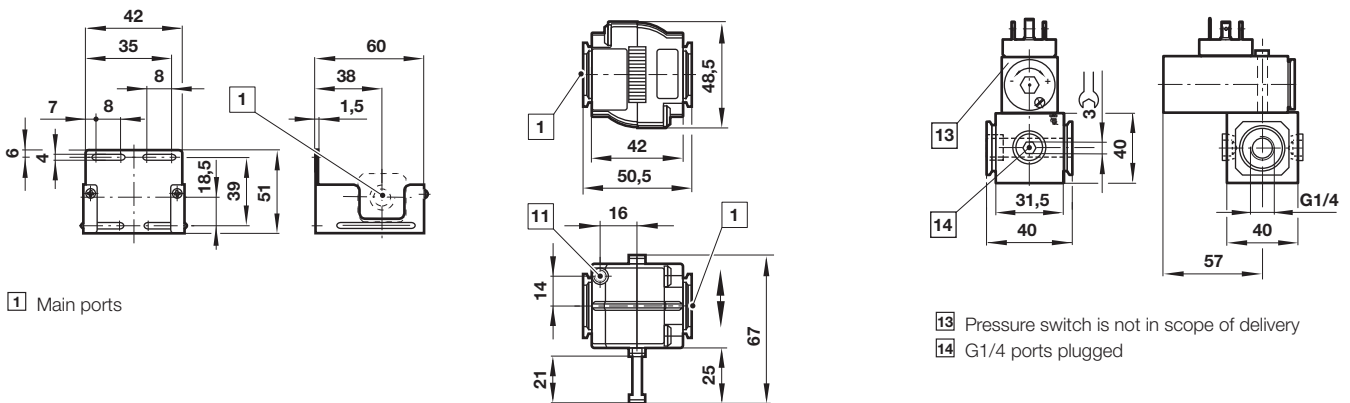


10 Ports (G1/4 or 1/4 NPT) plugged

**Wall mounting bracket**

**Shut-off valves**

**Porting block for pressure switch**



1 Main ports

- 1 Main ports 1/4" or 3/8" ISO G/PTF
- 11 Exhaust port M5 at 3/2 valve only

- 13 Pressure switch is not in scope of delivery
- 14 G1/4 ports plugged

## Warning

These products are intended for use in industrial compressed air systems only. Do not use these products where pressures and temperatures can exceed those listed under

»**Technical features/data**«.

Before using these products with fluids other than those specified, for non-industrial applications, life-support systems or other applications not within published specifications, consult

IMI Precision Engineering, Norgren Inc.

Through misuse, age, or malfunction, components used in fluid power systems can fail in various modes.

The system designer is warned to consider the failure modes of all component parts used in fluid power systems and to provide adequate safeguards to prevent personal injury or damage to equipment in the event of such failure.

System designers must provide a warning to end users in the system instructional manual if protection against a failure mode cannot be adequately provided.

System designers and end users are cautioned to review specific warnings found in instruction sheets packed and shipped with these products.