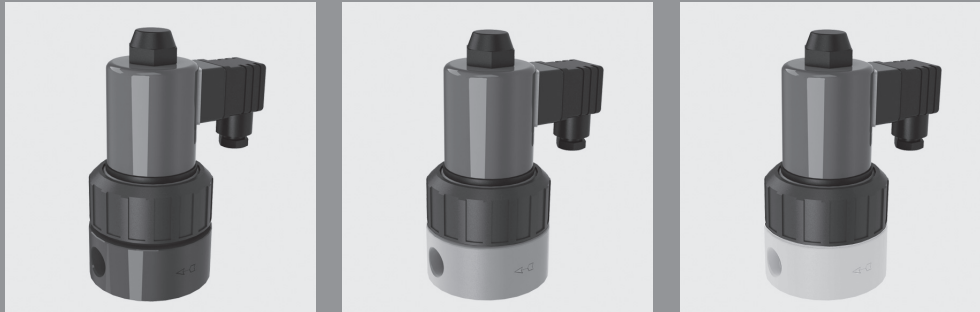


## Solenoid valve type 150 direct action



### Function

- closed when de-energized (NC)
- direct action

### Valve Function

- Switching function NC: In the position of rest, the valve is closed by the spring force. When energized (magnetic force) the plunger moves upwards, raising the diaphragm connected to it and allowing the medium to flow.
- Switching function NO: In the position of rest, the valve is opened by the spring force. When energized (magnetic force) the plunger moves down, closing the valve.

### Design

- seat valve with PTFE bellows

### Flow Media

- Technically pure, neutral or aggressive fluid or gaseous media, provided that the valve components coming into contact with the media are resistant at the operating temperature according to the ASV resistance guide!

### Fluid Temperature

- max. +50°C

### Operating Pressure

- 0 - max. 2.0 bar (see table)
- with direct current, the operating pressure reduced by 20%

### Size

- DN 10 - DN 20

### Viscosity

- up to approx. 37 mm<sup>2</sup> /s (cSt)

### Body

- PVC-U
- PP
- PTFE

### Sealing

- FPM
- EPDM

### Bellows

- PTFE

### Ambient Temperature

- max. +50°C

### Connection

- PVC-U: socket end for solvent welding
- PP: fusion socket end
- PTFE: female threaded socket

### Connector Plug

- according to DIN EN 175301-803
- AC with built-in rectifier

### Voltage

- 24V DC
- 230 V 50 Hz
- special voltages on request

### Voltage Tolerance

- +/-10% according to VDE 0580

### Coil Capacity

- 8 watt

### Duty Cycle (%)

- 100

### Type Of Protection

- IP 65 with mounted connector plug

### Mounting

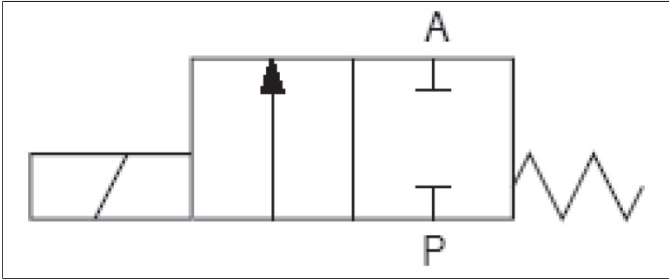
- magnet preferably at the top

### Option

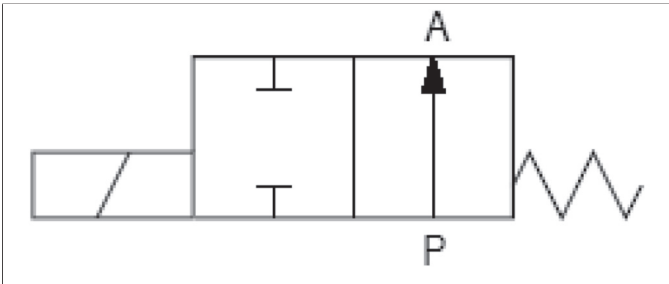
- normally open (NO)
- manual emergency control

## Solenoid valves, Solenoid valve type 150

### Circuit diagram NC



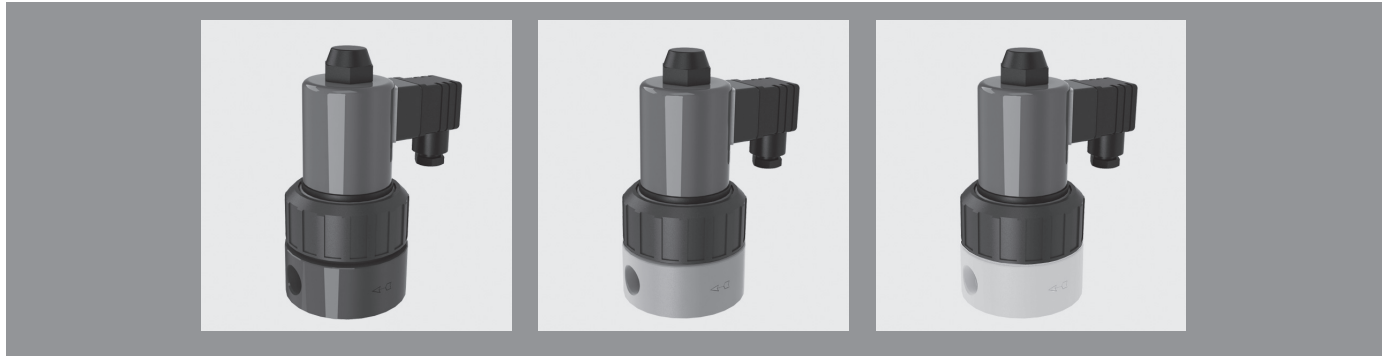
### Circuit diagram NO



### kv value

DN (mm)	10	15	20
kv (l/min)	33	45	53

## Solenoid valves, Solenoid valve type 150



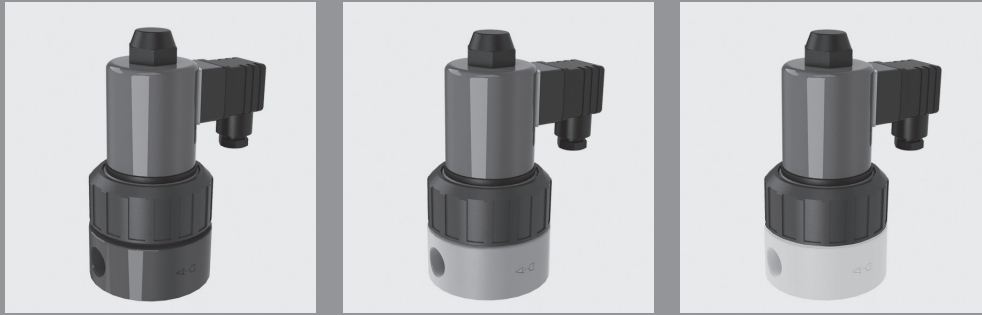
Actuator variant direct acting 230 V AC		body PVC-U			NC		
size pressure range	d(mm)		16	20	25		
	DN(mm)		10	15	20		
	pressure range(bar)		0-2	0-1	0-0.5		
Connection	sealing	ident No.					
PVC-U socket end DIN ISO	EPDM		69224	69232	69240		
	FPM		69226	69234	69242		

Actuator variant direct acting 24 V DC		body PVC-U			NC		
size pressure range	d(mm)		16	20	25		
	DN(mm)		10	15	20		
	pressure range(bar)		0-2	0-1	0-0.5		
Connection	sealing	ident No.					
PVC-U socket end DIN ISO	EPDM		69225	69233	69241		
	FPM		69227	69235	69243		

Actuator variant direct acting 230 V AC		body PP			NC		
size pressure range	d(mm)		16	20	25		
	DN(mm)		10	15	20		
	pressure range(bar)		0-2	0-1	0-0.5		
Connection	sealing	ident No.					
PP socket end DIN ISO	EPDM		46380	43972	43920		
	FPM		43486	43094	43195		

Actuator variant direct acting 24 V DC		body PP			NC		
size pressure range	d(mm)		16	20	25		
	DN(mm)		10	15	20		
	pressure range(bar)		0-2	0-1	0-0.5		
Connection	sealing	ident No.					
PP socket end DIN ISO	EPDM		43092	43093	113251		
	FPM		113252	46381	113253		

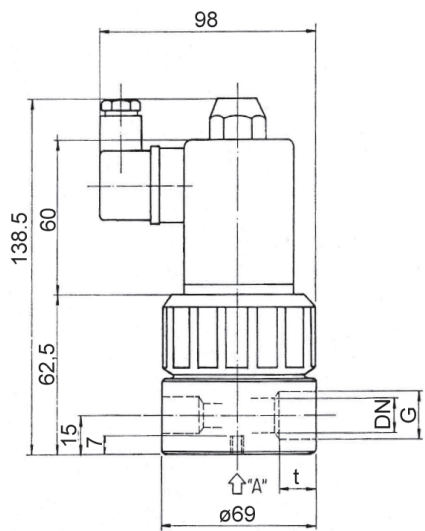
## Solenoid valves, Solenoid valve type 150



Actuator variant direct acting 230 V AC		body PTFE	NC	
size pressure range	d(mm)		16	20
	DN(mm)		10	15
	pressure range(bar)		0-2	0-1
	G(inch)		3/8	1/2
Connection	sealing	ident No.		
	PTFE			
female threaded sockets G	EPDM		69228	69236
	FPM		69230	69238

Actuator variant direct acting 24 V DC		body PTFE	NC	
size pressure range	d(mm)		16	20
	DN(mm)		10	15
	pressure range(bar)		0-2	0-1
	G(inch)		3/8	1/2
Connection	sealing	ident No.		
	PTFE			
female threaded sockets G	EPDM		69229	69237
	FPM		69231	69239

## Solenoid valves, Solenoid valve type 150

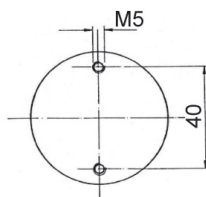


### dimensions

d(mm)	16	16	20	20	25
DN(mm)	10	10	15	15	20
pressure range(bar)	0-2	0-2	0-1	0-1	0-0.5
d(mm)	16	-	20	-	25

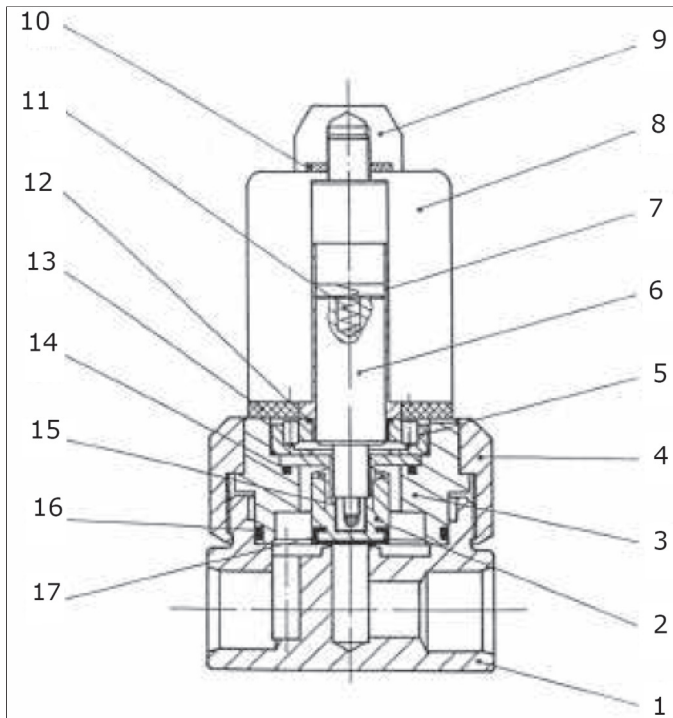
### dimensions(mm)

d	16	-	20	-	25
D	69	69	69	69	69
G	-	3/8	-	1/2	-
H	138.5	138.5	138.5	138.5	138.5



## Solenoid valves, Solenoid valve type 150

### parts lists



position	quantity	designation
1	1	valve body
2	1	bellows
3	1	intermediate element
4	1	union nut
5	1	intermediate ring
6	1	plunger
7	1	plunger guide tube
8	1	magnet coil
9	1	cap nut
10	1	flat sealing ring
11	1	pressure spring
12	1	O-ring
13	1	flat sealing ring
14	1	O-ring
15	1	threaded bush
16	1	O-ring
17	1	seal bonnet