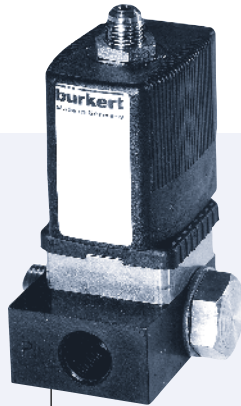
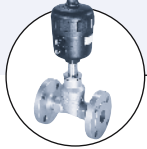


## 3/2-way Direct Mounting Pilot Valve



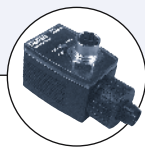
Type 6014P can be combined with...



**Type 2012**  
Globe valve



**Type 1078**  
Timer unit



**Type 2512/2511**  
ASI cable plug

- Suitable for all Bürkert process valves
- Ready for direct mounting
- Reduced power consumption
- Push-over solenoid coil
- Manual override

The direct acting 3/2-way valve, Type 6014 is a specially developed pilot valve for externally controlled actuators. (e.g. Type 2000, 2012, 2030, 2031). It consists of valve Type 6014 with sub-base connection and a banjo bolt connection.

With the banjo bolt the valve can be fastened very simply to the pilot air port of the actuator.

### Circuit function C



3/2-way valve, NC

Technical data	
<b>Orifice</b>	DN 1.5 and 2.0
<b>Material</b>	Flange body (valve) Banjo bolt Banjo coupler
	Brass or polyamide (PA) Brass, nickel-plated resp. Aluminium, anodized Aluminium, anodized resp. IXEF® *
<b>Seal material</b>	FKM
<b>Media</b>	Neutral gases and fluids, compressed air
<b>Media temperature</b>	-10 up to +100 °C
<b>Ambient temperature</b>	Max. +55 °C
<b>Voltage tolerance</b>	±10%
<b>Duty cycle</b>	100% continuous rating
<b>Electrical connection</b>	Tag connector acc. to DIN EN 175301-803 (previously DIN 43650), Form A for cable plug
<b>Protection class</b>	IP 65 with cable plug
<b>Installation</b>	As required, preferably with actuator upright

\* IXEF® is a registered trademark of SOLVAY S.A.

Power consumption				
Orifice [mm]	Inrush AC [VA]	Hold AC (hot coil)		DC (hot coil) [W]
		[VA]	[W]	
1.5	11	6	2	2
2.0	24	17	8	8

Response times				
Orifice [mm]	AC		DC	
	Opening [ms]	Closing [ms]	Opening [ms]	Closing [ms]
1,5	ca. 25	ca. 35	ca. 25	ca. 35
2,0	ca. 18	ca. 22	ca. 18	ca. 22

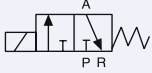
### Response times [ms]:

Measured at valve outlet at 6 bar and +20 °C

Opening: pressure build-up 0 to 90%, closing: pressure relief 100 to 10%

### Ordering chart for valves (other versions on requests)

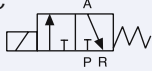
All valves with FKM seal and manual override, without cable plug  
Anodised aluminium banjo coupler, nickel-plated brass banjo bolt

Circuit function	Pressure inlet P (banjo coupler)	Service port A (banjo bolt)	Orifice [mm]	QNn value air [l/min]	Material flange body	Pressure range [bar]	Power consumption [W]	Item no. per voltage/frequency [V/Hz]		
								024/DC	024/50	230/50
<b>C</b> 3/2-way, normally closed (NC) 	G 1/4	G 1/8	1.5	75	PA	0-6	2	424 123	424 124	424 127
		G 1/4	1.5	75	PA	0-6	2	424 118	424 119	424 122
		G 1/8	2.0	120	Brass	0-10	8	424 113	424 114	424 117
		G 1/4	2.0	120	Brass	0-10	8	424 103	424 104	424 107

**Please note** that the cable plug has to be ordered separately, see separate datasheet for Type 2508.

### Ordering chart for valves (other versions on requests)

All valves with PA body, FKM seal and manual override, without cable plug  
IXEF® banjo coupler, anodised aluminium banjo bolt

Circuit function	Pressure inlet P (banjo coupler)	Service port A (banjo bolt)	Orifice [mm]	QNn value air [l/min]	Material flange body	Pressure range [bar]	Power consumption [W]	Item no. per voltage/frequency [V/Hz]		
								024/DC	024/50	230/50
<b>C</b> 3/2-Wege-Ventil, NC 	G 1/8	G 1/4	1.5	75	PA	0-10	5	784 710	784 711	784 713
		G 1/8	2.0	120	PA	0-10	8	784 706	784 707	784 709
		G 1/8	2.5	174	PA	0-6	8	786 014	–	786 015

#### **i** Further versions on request



#### Approvals

ATEX Version (Encapsulation and intrinsically safe)  
UR / UL / CSA

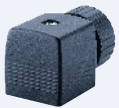


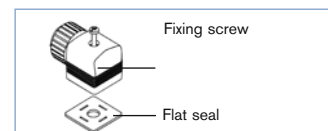
#### Materials

Flange body in stainless steel

### Ordering chart for accessory

Cable plug Type 2508 according to DIN EN 175301-803 Form A

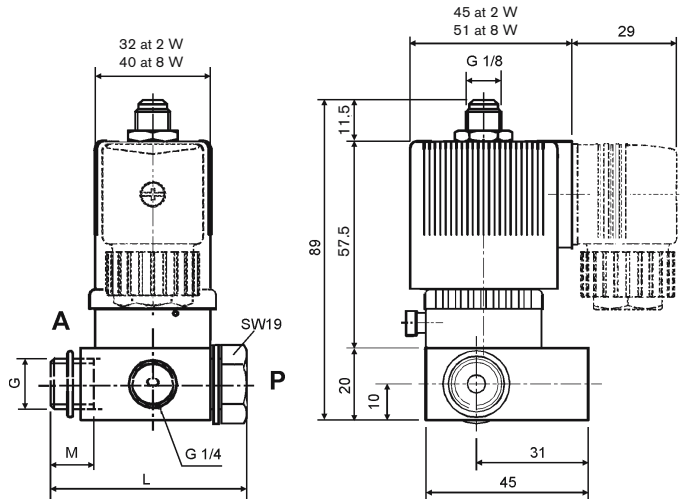
	Circuitry	Voltage / frequency	Item no.
	None (standard)	0 - 250 V AC/DC	008 376
	further versions see datasheet Type 2508		



The delivery of a cable plug includes the flat seal and the fixing screw. For other cable plug versions acc. to DIN EN 175301-803 Form A (previously DIN 43650), see Accessories p. 116 or separate datasheet Type 2508.

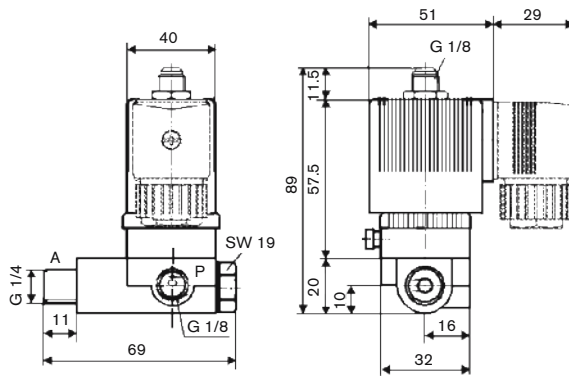
Dimensions [mm]

Anodised aluminium banjo coupler, nickel-plated brass banjo bolt



G	M	L
G 1/8	10	51
G 1/4	12	54

IXEF® Banjo coupler, anodised aluminium banjo bolt



DTS 1000101971 EN Version: - Status: RL (released | freigegeben | valide) printed: 20.01.2015

To find your nearest Bürkert facility, click on the orange box →

[www.burkert.com](http://www.burkert.com)

In case of special application conditions, please consult for advice.

We reserve the right to make technical changes without notice.

0712/1\_EU-en\_00895025