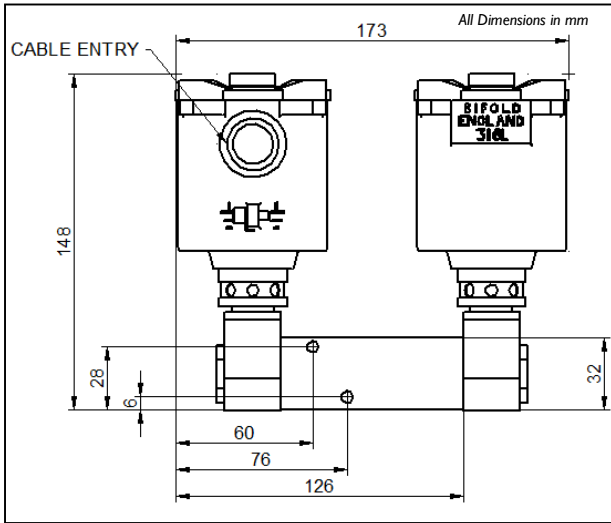


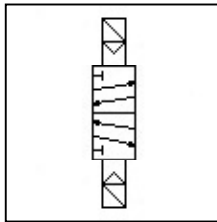
BXS-04



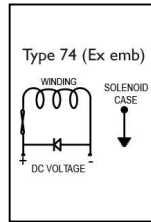
Dimensional Drawing



Schematic



Wiring



Rendering



Certification



BXS-04-04-EI-52-XX-EI-V-74AT4-24D-36-LI42

BXS-04	1/4" Body - Max 10 Bar Working Pressure	Model Code
04	1/4" Body Ported	Ports
EI	Auto Reset Internal Pilot	Primary Operator
52	5-way, 2-position	Configuration
XX	5/2	Configuration
EI	Auto Reset Internal Pilot	Secondary Operator
V	Viton -15°C to +130°C	Seals
74	Ex emb	Solenoid
AT4	ATEX/IECEx Dual Certified/Labelled	Solenoid Approval
24D	24VDC	Voltage/Resistance
36	3.6 Watts	Power
	M20 x 1.5 Cable Entry	Cable Entry
	NPT	Thread Form
	None Included	Panel Mount Ring
	No Button Included	Manual Button
	Block Before Bleed	Flow Characteristics
LI42	Banjo Adapter	Banjo Assembly
	No Identifier	Identifier
BXS-04 -04 -EI -52 -XX -EI -V -74 AT4 -24D -36	-LI42	Model Number

Solenoid T-Rating

	Power *
Ex emb IIC T* Gb	≤3.0W ≤ 55°C T3
Ex tD IIIC A21 T120°C Db	Tamb -25°C to ≤4.0W ≤ 50°C T4
	≤6.8W ≤ 40°C T3

This is a bespoke datasheet. For further details on the complete range, please refer to catalogue: Direct & Indirect Acting Solenoid Valves Models FP03P, FP06P, FP10P, FP12P, BXS & SPR

Accuracy of information
We take care to ensure that product information in this catalogue is reasonably accurate and up-to-date. However, our products are continually developed and updated so to ensure accurate and up-to-date information please refer to the product catalogue issue list on our web site or contact a member of our sales team.

When selecting a product, the applicable operating system design must be considered to ensure safe use. The products function, material compatibility, adequate ratings, correct installation, operation and maintenance are the responsibilities of the system designer and user.

Quality Assurance
All Bifold products are manufactured to a most stringent QA programme to ensure that every product will give optimum performance and reliability. We are third party certified to BS EN ISO 9001:2008. Functional test certificates, letter of conformity and copies of original mill certificates, providing total traceability are available on request, to BS EN 10204 3.1 where available. We reserve the right to make changes to the specifications and design etc., without prior notice.

