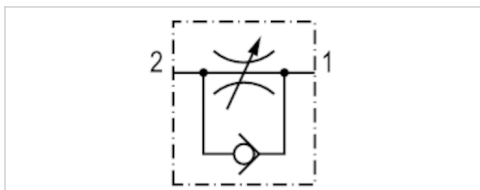


Check-choke valve, Series CC02-AL

- $Q_n 2 \rightarrow 1 = 85-900 \text{ l/min}$
- direction of throttle $2 \rightarrow 1$
- exhaust air throttling
- push-in fitting / external thread



Working pressure min./max.	0,5 ... 10 bar
Ambient temperature min./max.	-10 ... 70 °C
Medium temperature min./max.	-10 ... 70 °C
Medium	Compressed air



Technical data

Part No.	Port 1	Port 2	Throttle bore \varnothing	$Q_n 2 \rightarrow 1$
R412004995	$\varnothing 6$	M5	2 mm	85 l/min
0821200242	$\varnothing 6$	G 1/8	3,5 mm	360 l/min
0821200246	$\varnothing 6$	G 1/4	4,5 mm	540 l/min
0821200244	$\varnothing 8$	G 1/8	3,5 mm	360 l/min
0821200247	$\varnothing 8$	G 1/4	4,5 mm	540 l/min
0821200248	$\varnothing 8$	G 3/8	6,6 mm	900 l/min
0821200253	$\varnothing 10$	G 1/4	4,5 mm	540 l/min
0821200249	$\varnothing 10$	G 3/8	6,6 mm	900 l/min
R412007432	$\varnothing 12$	G 3/8	6,6 mm	900 l/min

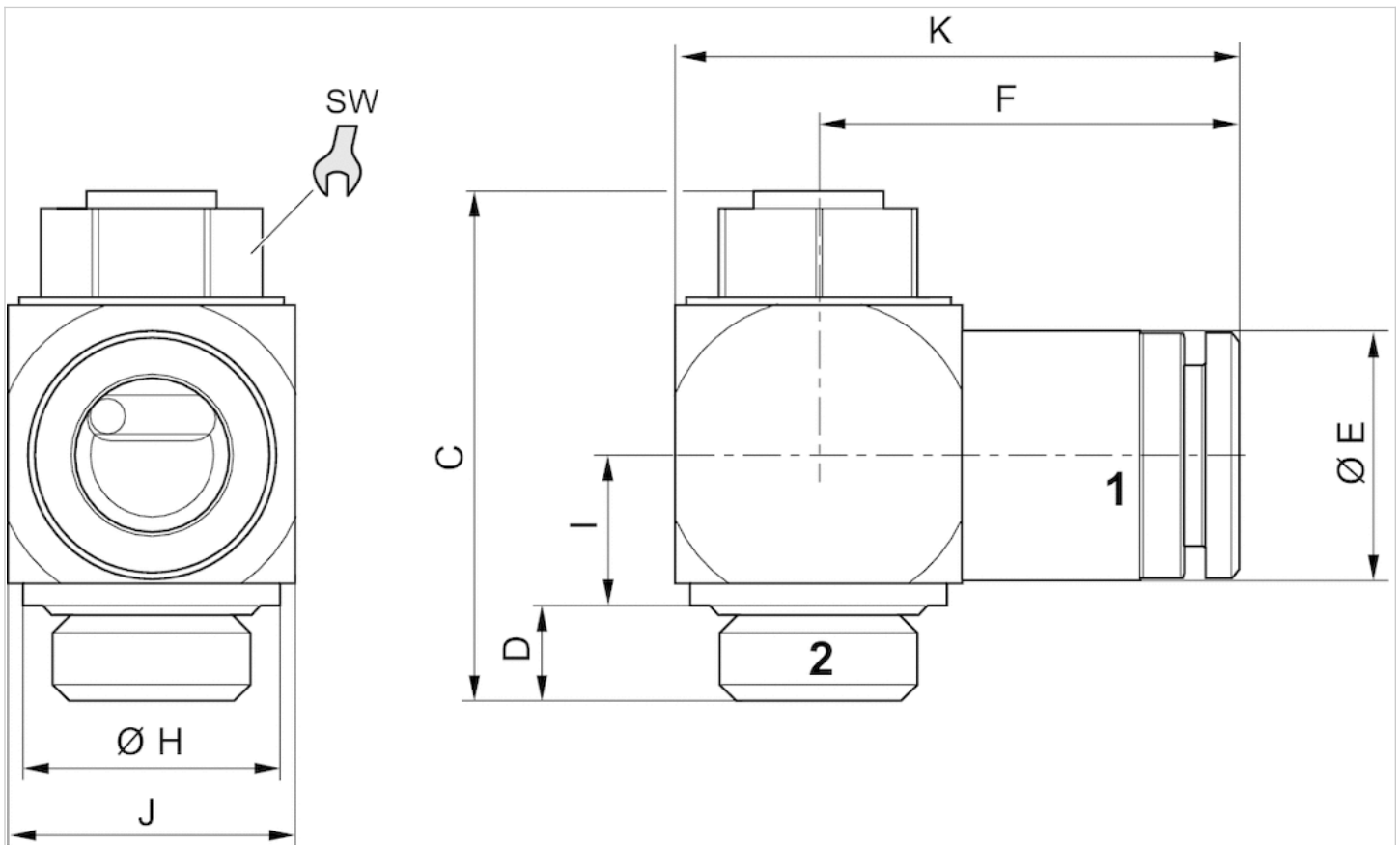
Nominal flow Q_n at 6 bar and $\Delta p = 1 \text{ bar}$

Technical information

Material	
Housing	Aluminum
Flow control screw	Brass
Seals	Acrylonitrile butadiene rubber

Dimensions

Dimensions



Dimensions

Part No.	Port 1	Port 2	C	D	ØE	F	ØH	I	J	K	SW
R412004995	$\text{Ø} 6$	M5	21.8	3.9	10.45	16.9	8.5	6.3	10.5	21.7	7
0821200242	$\text{Ø} 6$	G 1/8	28.5	5.1	13	23.3	14	8	15	30.3	10
0821200246	$\text{Ø} 6$	G 1/4	33.6	6.2	16	25.8	17	9.8	19	35.3	13
0821200244	$\text{Ø} 8$	G 1/8	28.5	5.1	13.8	24.3	14	8	15	31.2	10
0821200247	$\text{Ø} 8$	G 1/4	33.6	6.2	16	26.2	17	9.8	19	35.7	13
0821200248	$\text{Ø} 8$	G 3/8	41	7.2	16	30.2	22	13.3	24	42.7	16
0821200253	$\text{Ø} 10$	G 1/4	33.6	6.2	16	27.9	17	9.8	19	37.4	13
0821200249	$\text{Ø} 10$	G 3/8	41	7.2	19	30.9	22	13.3	24	43.4	16
R412007432	$\text{Ø} 12$	G 3/8	41	7.2	22	33	22	13.3	24	45.5	16