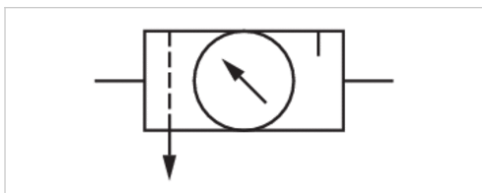


Maintenance unit, 3-part, Series NL1- ACT

- G 1/8, G 1/4
- filter porosity 5 μm
- with pressure gauge
- suitable for ATEX



Version	3-part, Can be assembled into blocks
Parts	Filter, Pressure regulator, Micro oil-mist lubricator
Mounting orientation	vertical
Working pressure min./max.	2 ... 16 bar
Ambient temperature min./max.	-10 ... 60 °C
Medium temperature min./max.	-10 ... 60 °C
Medium	Compressed air, Neutral gases
Oil type	HLP 32 (DIN 51 524 - ISO VG 32), HLP 68 (DIN 51 524 - ISO VG 68)
Nominal flow Qn	750 l/min
Regulator type	Diaphragm-type pressure regulator
Regulator function	with relieving air exhaust
Adjustment range min./max.	0,5 ... 10 bar
Pressure supply	single
Filter reservoir volume	16 cm ³
Filter element	exchangeable
Condensate drain	See table below
Lubricator reservoir volume	35 cm ³
Type of filling	Manual oil filling
Weight	See table below

Technical data

Part No.	Port	Flow	Condensate drain	Reservoir	Weight
		Qn			
0821300721	G 1/8	750 l/min	semi-automatic, open without pressure	Polycarbonate	0,734 kg
0821300722	G 1/8	750 l/min	semi-automatic, open without pressure	Die cast zinc	0,815 kg
0821300723	G 1/8	750 l/min	fully automatic, open without pressure	Polycarbonate	0,787 kg
0821300724	G 1/4	750 l/min	semi-automatic, open without pressure	Polycarbonate	0,734 kg
0821300725	G 1/4	750 l/min	semi-automatic, open without pressure	Die cast zinc	0,815 kg
0821300726	G 1/4	750 l/min	fully automatic, open without pressure	Polycarbonate	0,787 kg

Metal protective guard can be retrofitted for all polycarbonate reservoirs, Nominal flow Qn with secondary pressure $p_2 = 6$ bar at $\Delta p = 1$ bar

Technical information

The pressure dew point must be at least 15 °C under ambient and medium temperature and may not exceed 3 °C .
Suitable for use in Ex zones 1, 2, 21, 22

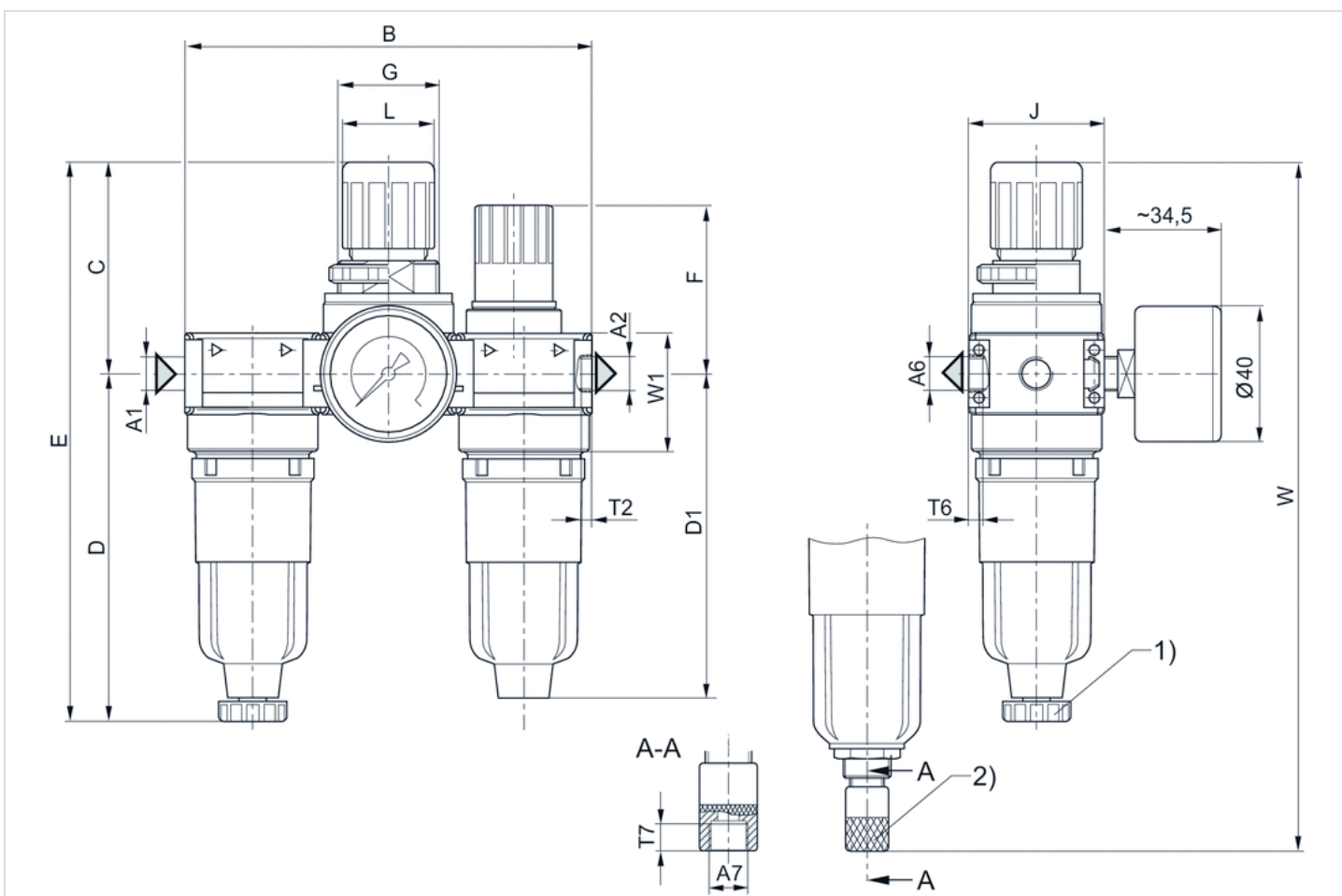
Oil dosing at 1000 l/min,[drops/min] 10-20

Max. residual oil content acc. to ISO 8573-1 at the outlet 5 mg/m³

Technical information

Material	
Housing	Die cast zinc
Seals	Acrylonitrile butadiene rubber
Reservoir	Polycarbonate, Die cast zinc
Filter insert	Polyethylene

Dimensions

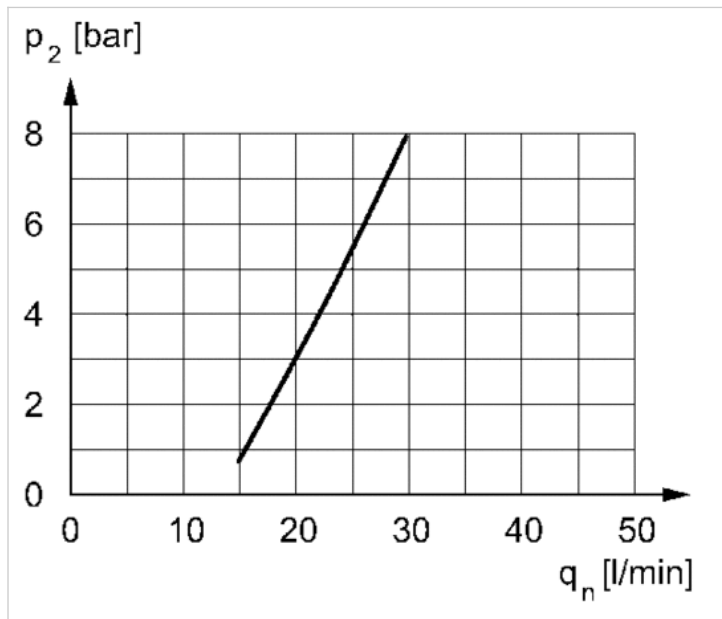


Dimensions

A1	A2	A5	A6	A7	B	C	D	D1	E	F	G	J	L	M	T2	T6	T7	W	W1
G 1/8	G 1/8	G 1/8	G 1/8	G 1/8	120	65.5	102.5	95.5	168	50	M30x1,5	40	27	3	8	6	8.5	206	35
G 1/4	G 1/4	G 1/8	G 1/8	G 1/8	120	65.5	102.5	95.5	168	50	M30x1,5	40	27	3	8	6	8.5	206	35

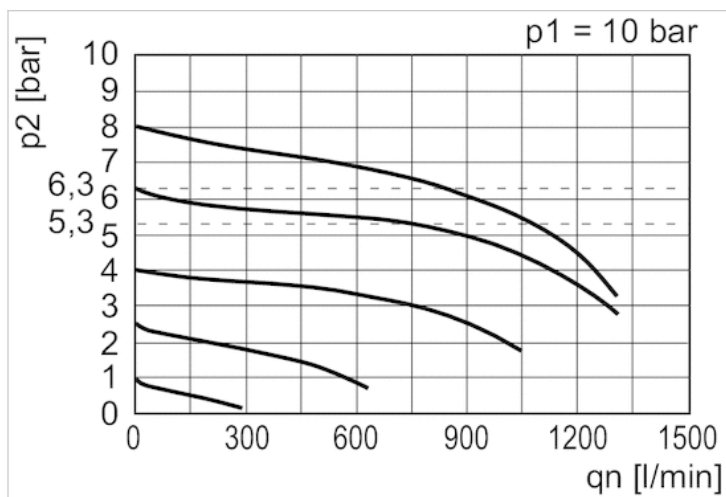
Diagrams

minimum flow rate curve (flow rate necessary for the correct functioning of the lubricator)



p2 = secondary pressure
qn = nominal flow

Flow rate characteristic



p1 = Working pressure
p2 = Secondary pressure
qn = Nominal flow